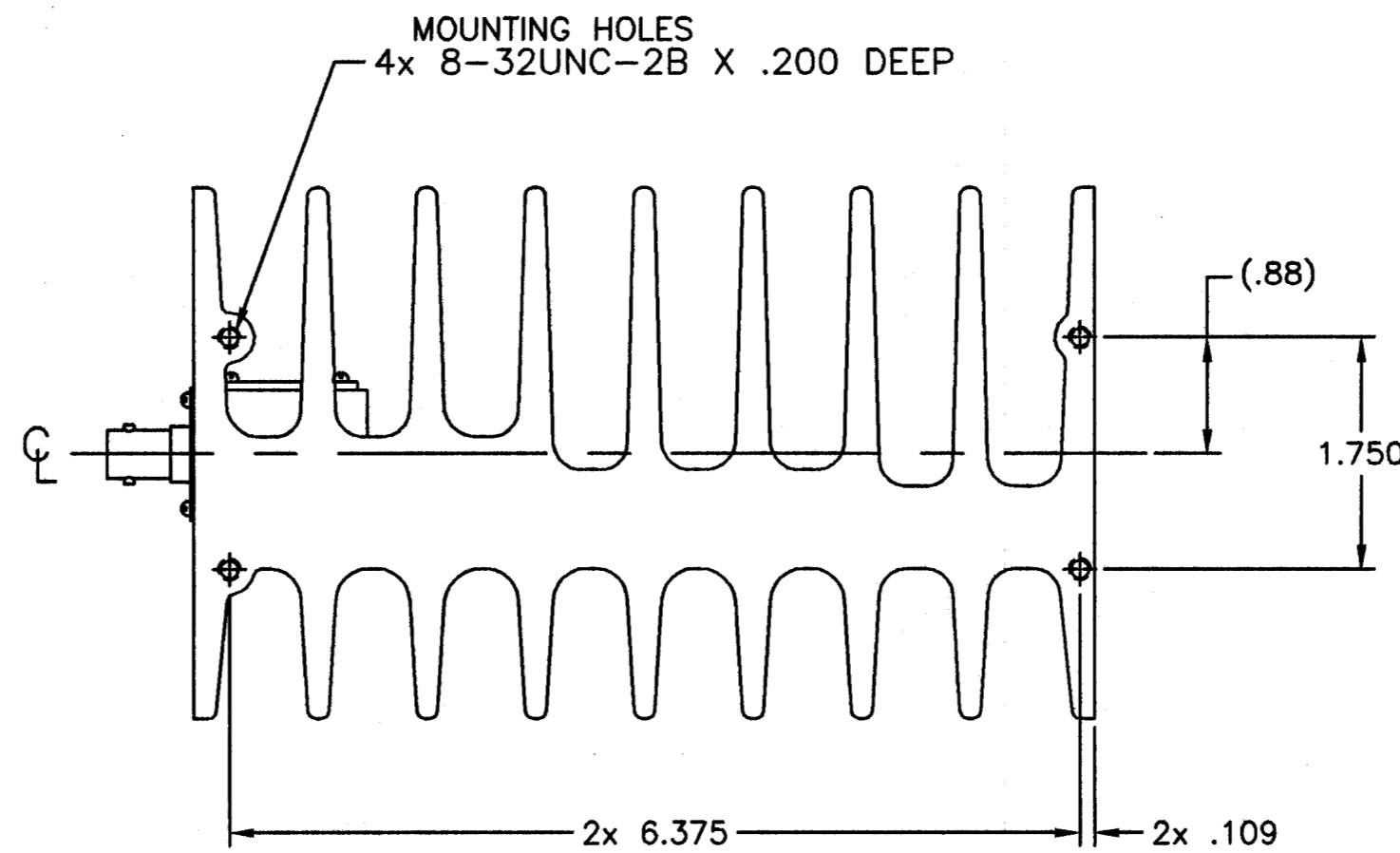
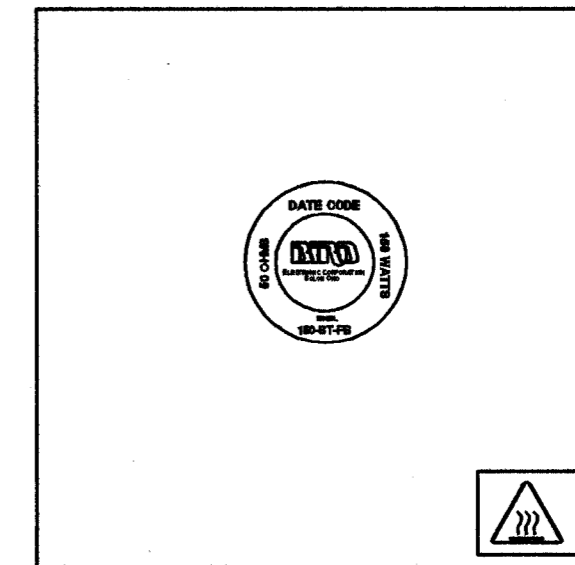
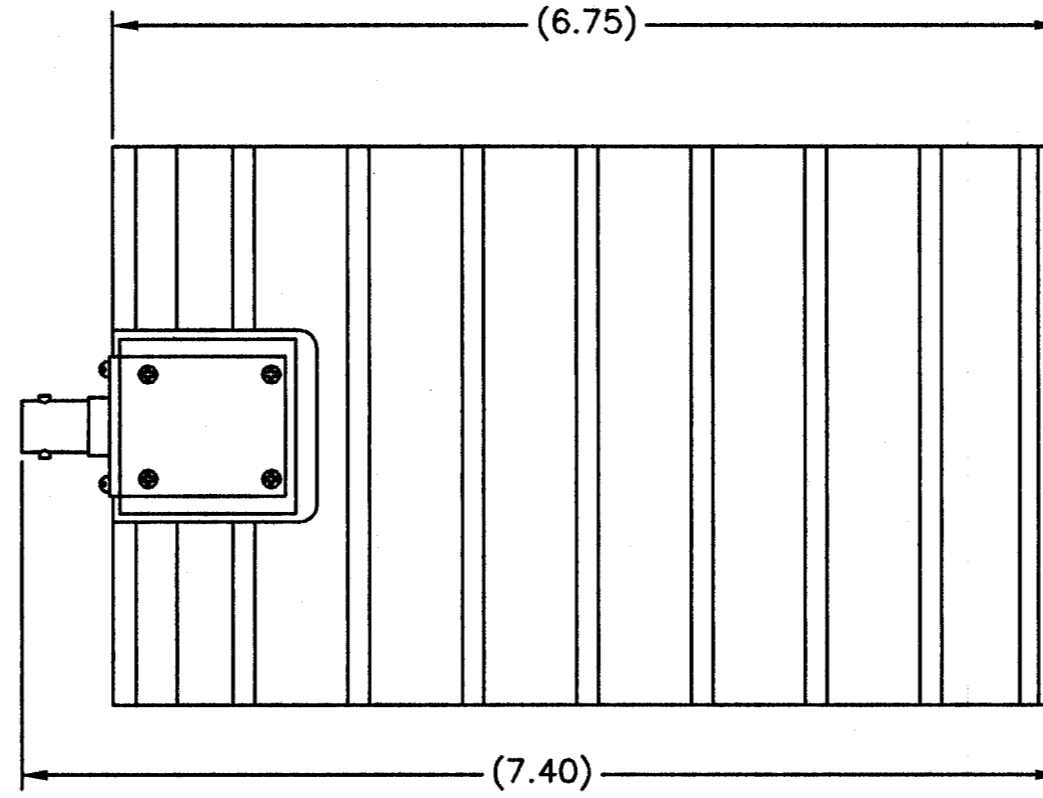
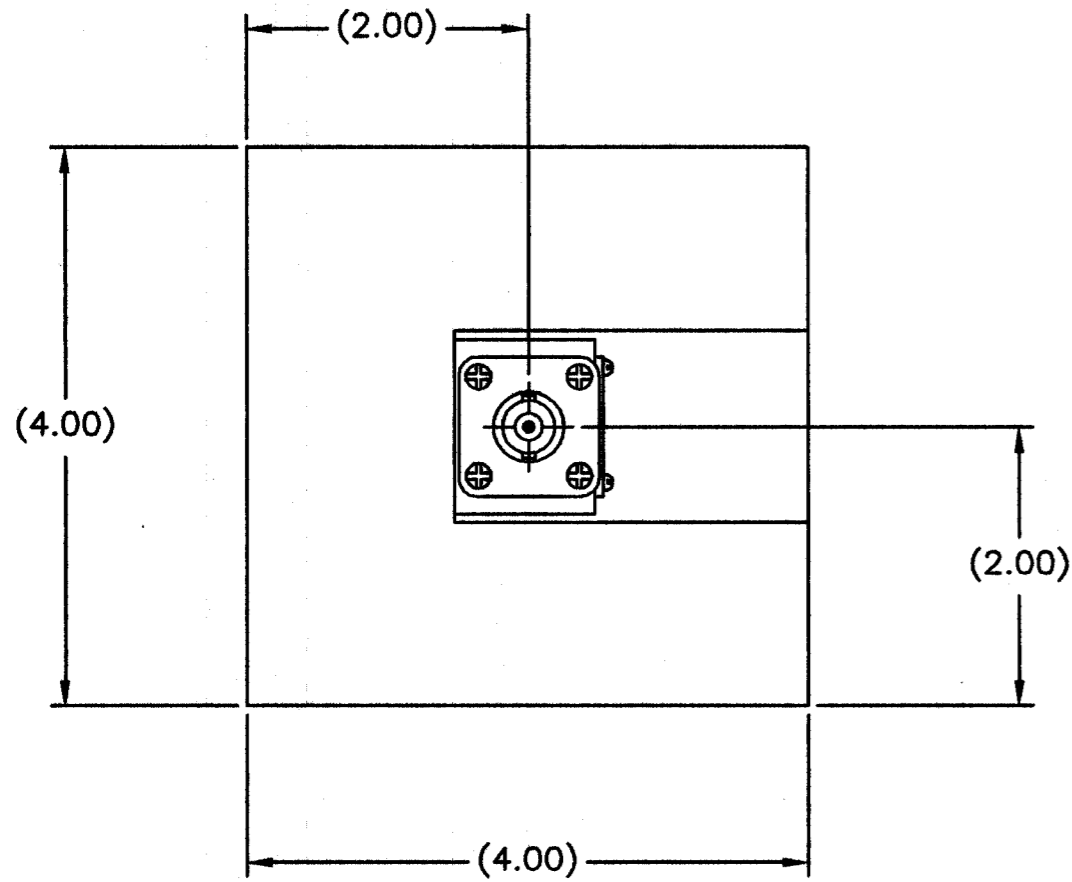



SPECIFICATIONS:
 IMPEDANCE: 50 OHMS NOMINAL
 FREQUENCY RANGE: DC TO 2.4GHz
 VSWR: DC TO 1GHz AT 1.10:1 MAX.
 1GHz TO 2.4GHz AT 1.25:1 MAX.
 POWER RATING: 150 WATTS MAX. @ 40°C.
 180 WATTS MAX. @ 25°C.
 COOLING FIN: ALUMINUM, BLACK ANODIZED
 HEAT SPREADER: ALUMINUM, TRI-ALLOY PLATED
 CONNECTOR: BNC FEMALE
 OPERATING POSITION: VERTICALLY
 NOMINAL SIZE: APPROX. 7.40" L X 4" SQ.
 WEIGHT: APPROX. 5 LBS.

REVISIONS		DWG. NO.	150-ST-FB	SHEET	REV
ZONE	REV	DESCRIPTION		DATE	APPROVED
	A	RELEASED TO PRODUCTION		12-15-98	<i>MAJ</i>



UNLESS OTHERWISE SPECIFIED DIMENSIONS ARE IN INCHES TOLERANCES ARE: FRACTIONS DECIMALS ANGLES ± 1/64 .005 ± .010 ± 30° DO NOT SCALE DRAWING		MILLIMETERS .X = ± .4 .XX = ± .12		THIS DRAWING IS THE PROPERTY OF THE BIRD ELECTRONIC CORPORATION. THE DESIGNS AND SPECIFICATIONS DISCLOSED HEREON ARE PROPRIETARY AND SHALL NOT BE REPRODUCED, NOR COPIED, NOR USED AS THE BASIS FOR THE MANUFACTURE OR SALE OF APPARATUS OR DEVICES WITHOUT THEIR EXPRESS WRITTEN CONSENT.		 BIRD Electronic Corporation Cleveland (Solon) Ohio USA	
MATERIAL		APPROVALS		DATE		TITLE	
FINISH		DRAWN		DATE		TERMINATION BNC FEMALE, 150W	
		D.M.RINK		4-4-03		SIZE FSCM NO. DWG. NO. REV	
		CHECKED		DATE		C 70998 150-ST-FB A	
		APPROVED		DATE		SCALE 1:1 COMM CODE LD1 SHEET 1 OF 1	
		<i>MAJ</i>		6-15-03			
				AUTOCAD			